



KITZ Corporation Of America
800-772-0073 • www.KITZ.com

BUTTWELD CARBON STEEL BALL VALVE
Three Piece • Full Port • Stainless Steel Trim • Hypatite Seats
ISO 5211 Mounting Pad (KITZ Standard Mounting Pad on 1/4" and 3/8")
Lockable Lever Handle • Firesafe in Accordance with API 607
Encapsulated Body Bolts • 1000 WOG • Schedule 40 Ends • NACE

Steel Ball Valves

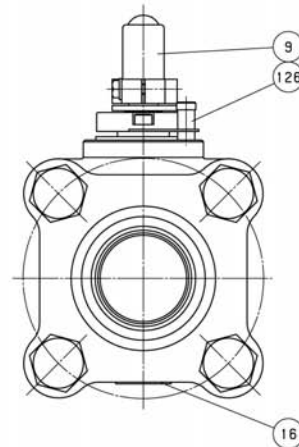
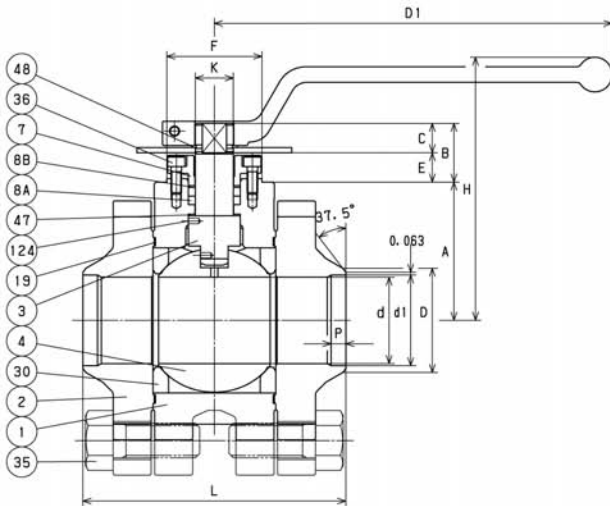
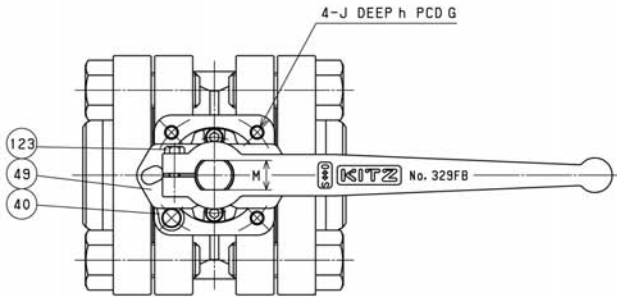
BWU3TFZM-FS
CODE NO. 329FB

MATERIAL LIST

No.	Name of Parts	Materials
1	BODY	A351 Gr. CF8M
2	CAP	A351 Gr. CF8M
3	STEM	A276 TYPE 316
4	BALL	A351 Gr. CF8M
7	GLAND	A351 Gr. CF8
8A	GLAND PACKING	FLEXIBLE GRAPHITE
8B	SPACER PACKING	G/F PTFE
9	HANDLE	DUCTILE IRON
16	NAME PLATE	STAINLESS STEEL
19	GASKET	(2)
30	BALL SEAT	HYPATITE PTFE
35	CAP BOLT	A193 Gr. BB
36	GLAND BOLT	A193 Gr. BB
40	KEY LOCK PLATE	STAINLESS STEEL
47	THRUST WASHER	25% CARBON FILLED PTFE (1)
48	SNAP RING	STAINLESS STEEL
49	STOPPER	STAINLESS STEEL
123	HANDLE BOLT	STAINLESS STEEL
124	SPRING & PIN	A313 & A276 TYPE 316
126	STOPPER PIN	STAINLESS STEEL

NOTE

- (1) All valves have an anti-static thrust washer insuring positive conductivity between body and stem.
- (2) Flexible graphite with stainless foil insert.



DIMENSIONS

Unit : mm

Nominal Size	Welding End					Mounting Dimensions for Actuator												
	in.	d	H	D1	L	d1	D	P	A	B	C	E	F	K	G	J	h	M
2	50	152	230	152	53	60	9	80	34	17	17	55	22	70	3/16-18UNC	15	17	F07

Unit : inch

Nominal Size	Welding End					Mounting Dimensions for Actuator												
	in.	d	H	D1	L	d1	D	P	A	B	C	E	F	K	G	J	h	M
2	1.97	5.98	9.06	5.98	2.067	2.374	0.335	3.150	1.339	0.669	0.669	2.165	0.866	2.756	3/16-18UNC	0.591	0.669	F07