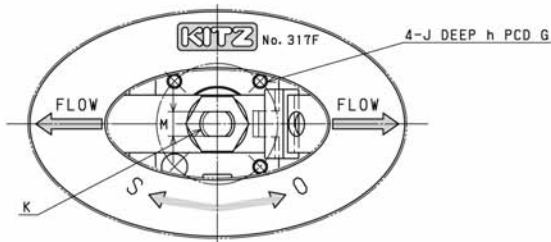




KITZ Corporation Of America
800-772-0073 • www.KITZ.com

THREADED CARBON STEEL BALL VALVE
Three Piece • Full Port • Stainless Steel Trim • Hypatite Seats
ISO5211 Mounting Pad (KITZ Standard Mounting Pad on 1/4" and 3/8")
Locking Oval Handle • Encapsulated Body Bolts • 1500 WOG • NACE

AKSC3TFZM-O
CODE NO. 317F-LOH

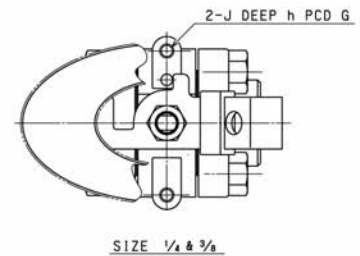
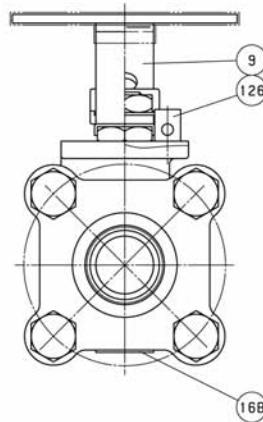
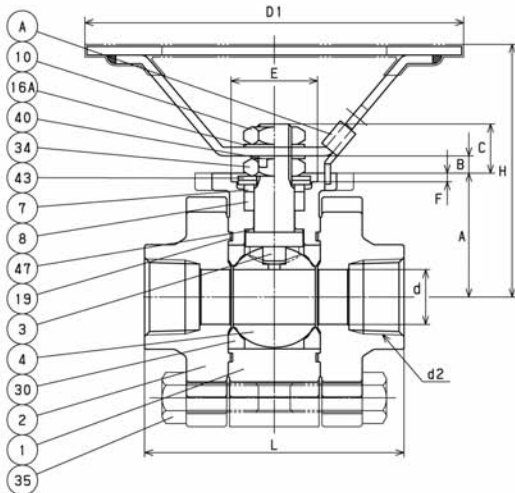


MATERIAL LIST

| No. | Name of Parts | Materials |
|-----|-------------------|--------------------------------|
| 1 | BODY | A216 Gr. WCB |
| 2 | CAP | A216 Gr. WCB |
| 3 | STEM | A276 TYPE 316 |
| 4 | BALL | A276 TYPE 316 or A351 Gr. CF8M |
| 7 | GLAND | A276 TYPE 316 |
| 8 | GLAND PACKING | PTFE |
| 9 | HANDLE | A276 TYPE 430 (1) |
| 10 | HANDLE NUT | A194 Gr. 8 |
| 16A | WASHER | STAINLESS STEEL |
| 16B | NAME PLATE | STAINLESS STEEL |
| 19 | GASKET | PTFE |
| 30 | BALL SEAT | HYPATITE PTFE |
| 34 | GLAND NUT | A194 Gr. 8 |
| 35 | CAP BOLT | A193 Gr. BB |
| 40 | LOCK PLATE | STAINLESS STEEL |
| 43 | CONED DISC SPRING | STAINLESS STEEL |
| 47 | THRUST WASHER | 25% CARBON FILLED PTFE (2) |
| 126 | STOPPER PIN | A276 TYPE 304 |
| A | LATCH LOCK | STAINLESS STEEL |

NOTE

- (1) Plastic covering.
- (2) All valves have an anti-static thrust washer insuring positive conductivity between body and stem.



DIMENSIONS

Unit : inch

| Nominal Size | Mounting Dimensions for Actuator | | | | | | | | | | | | | | ISO 5211 Flange Type | |
|--------------|----------------------------------|------|------|------|---------|-------|-------|-------|-------|-------|-------|-----------|-------|-----|----------------------|-----|
| | d | H | D1 | L | d2 | A | B | C | E | F | G | J | h | K | | M |
| 1/4 | 0.39 | 2.48 | 3.94 | 2.48 | NPT 1/4 | 1.043 | 0.079 | 0.413 | — | — | 1.969 | 1/4-20UNC | 0.275 | M8 | 0.197 | — |
| 3/8 | 0.39 | 2.48 | 3.94 | 2.48 | NPT 3/8 | 1.043 | 0.079 | 0.413 | — | — | 1.969 | 1/4-20UNC | 0.275 | M8 | 0.197 | — |
| 1/2 | 0.55 | 3.07 | 5.12 | 2.80 | NPT 1/2 | 1.378 | 0.169 | 0.559 | 0.984 | 0.118 | 1.417 | 1/4-20UNC | 0.197 | M10 | 0.236 | F03 |
| 3/4 | 0.75 | 3.43 | 5.12 | 3.54 | NPT 3/4 | 1.693 | 0.197 | 0.669 | 1.181 | 0.118 | 1.654 | 1/4-20UNC | 0.315 | M12 | 0.335 | F04 |



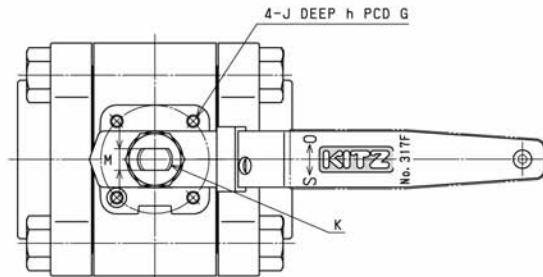
KITZ Corporation Of America
800-772-0073 • www.KITZ.com

THREADED CARBON STEEL BALL VALVE
Three Piece • Full Port • Stainless Steel Trim • Hypatite Seats
ISO5211 Mounting Pad (KITZ Standard Mounting Pad on 1/4" and 3/8")
Locking Lever Handle • Encapsulated Body Bolts • 1500 WOG • NACE

AKSC3TFZM
CODE NO. 317F

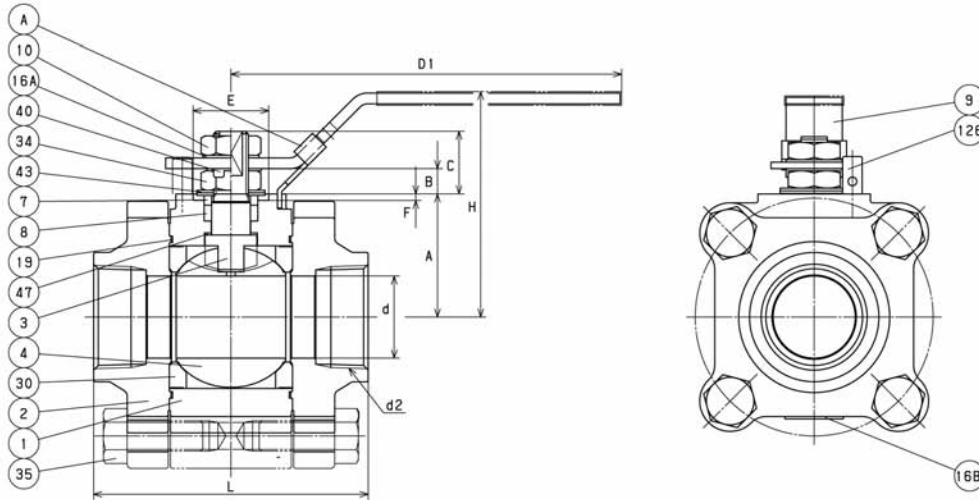
MATERIAL LIST

| No. | Name of Parts | Materials |
|-----|-------------------|--------------------------------|
| 1 | BODY | A216 Gr. WCB |
| 2 | CAP | A216 Gr. WCB |
| 3 | STEM | A276 TYPE 316 |
| 4 | BALL | A276 TYPE 316 or A351 Gr. CF8M |
| 7 | GLAND | A276 TYPE 316 |
| 8 | GLAND PACKING | PTFE |
| 9 | HANDLE | A276 TYPE 430 (1) |
| 10 | HANDLE NUT | A194 Gr. 8 |
| 16A | WASHER | STAINLESS STEEL |
| 16B | NAME PLATE | STAINLESS STEEL |
| 19 | GASKET | PTFE |
| 30 | BALL SEAT | HYPATITE PTFE |
| 34 | GLAND NUT | A194 Gr. 8 |
| 35 | CAP BOLT | A193 Gr. B8 |
| 40 | LOCK PLATE | STAINLESS STEEL |
| 43 | CONED DISC SPRING | STAINLESS STEEL |
| 47 | THRUST WASHER | 25% CARBON FILLED PTFE (2) |
| 126 | STOPPER PIN | A276 TYPE 304 |
| A | LATCH LOCK | STAINLESS STEEL |



NOTE

- (1) Plastic covering.
- (2) All valves have an anti-static thrust washer insuring positive conductivity between body and stem.



DIMENSIONS

Unit : inch

| Nominal Size | Mounting Dimensions for Actuator | | | | | | | | | | | | | | | |
|--------------|----------------------------------|------|------|------|-----------|-------|-------|-------|-------|-------|-------|-----------|-------|-----|-------|-----|
| | in. | d | H | D1 | L | d2 | A | B | C | E | F | G | J | h | K | M |
| 1 | 0.94 | 3.23 | 5.91 | 4.06 | NPT 1 | 1.732 | 0.531 | 1.083 | 1.181 | 0.118 | 1.654 | 1/4-20UNC | 0.315 | M14 | 0.394 | F04 |
| 1 1/4 | 1.18 | 3.46 | 5.91 | 4.33 | NPT 1 1/4 | 1.949 | 0.531 | 1.071 | 1.181 | 0.118 | 1.654 | 1/4-20UNC | 0.315 | M14 | 0.394 | F04 |
| 1 1/2 | 1.50 | 4.09 | 7.09 | 5.00 | NPT 1 1/2 | 2.244 | 0.461 | 1.142 | 1.378 | 0.118 | 1.969 | 1/4-20UNC | 0.394 | M16 | 0.394 | F05 |