



KITZ Corporation Of America  
800-772-0073 • www.KITZ.com

# THREADED STAINLESS STEEL BALL VALVE

Regular Port • Stainless Steel Trim • PTFE Seats  
Lever Handle • 800 WOG

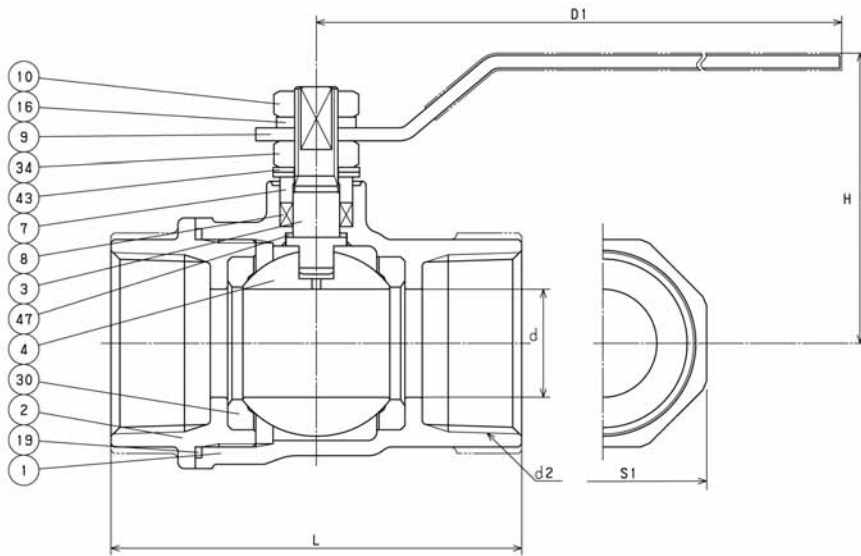
**AKUTHM  
CODE NO. 53**

### MATERIAL LIST

No.	Name of Parts	Materials
1	BODY	A351 Gr. CF8M
2	BODY CAP	A351 Gr. CF8M
3	STEM	A276 TYPE 316 (2)
4	BALL	A276 TYPE 316 or A351 Gr. CF8M
7	GLAND	A276 TYPE 316
8	GLAND PACKING	PTFE
9	HANDLE	A276 TYPE 430 (1)
10	WHEEL NUT	A194 Gr. 8
16	WASHER	A276 TYPE 304 (SIZE 3/4 & OVER)
19	GASKET	PTFE
30	BALL SEAT	PTFE
34	GLAND NUT	STAINLESS STEEL
43	CONED DISC SPRING	STAINLESS STEEL
47	THRUST WASHER	G/F PTFE

### NOTE

- (1) Plastic covering.
- (2) Cr plating.



### DIMENSIONS

Unit : inch

Nominal Size	d	H	D1	L	d2	S1
1/2	0.39	1.85	3.94	2.36	NPT 1/2	1.03
3/4	0.59	2.09	3.94	2.76	NPT 3/4	1.26
1	0.79	2.48	5.12	3.15	NPT 1	1.54
1 1/4	0.98	2.64	5.12	3.74	NPT 1 1/4	1.89
1 1/2	1.26	3.07	5.91	4.25	NPT 1 1/2	2.13
2	1.57	3.31	5.91	4.88	NPT 2	2.72